

Assembly and operating Instructions



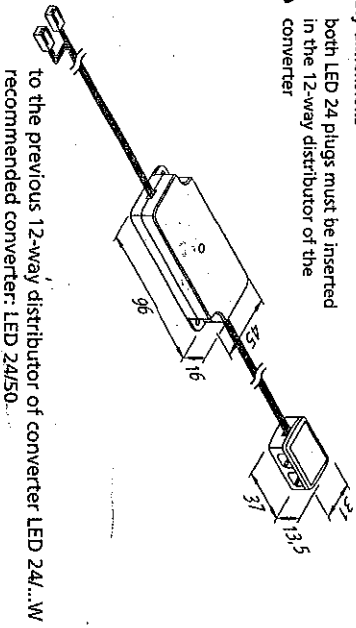
Intended use
Dynamic-Controller to connect to electronic safety isolating converter LED 24...W with remote control; this product is for indoor use only.



1. Disconnect from the mains supply before attempting to mount/dismount the lighting fixture.
2. Faulty parts should only be replaced with original parts.
3. Always fully insert all plug connections.
4. Connection only to special LED - Converter Hera Type LED 24/...W with a constant output voltage 24 V DC. Recommended converter: LED 24/50.
5. Hera grants no warranty when other LED converters as the prescribed converters are used.
6. The total load may not exceed the nominal load of the converter.
7. The specified installation distances of the converter must be maintained.
8. Please do not touch the cables after finishing the installation.

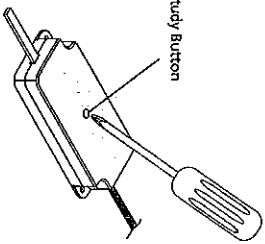
Assembly dimensions

both LED 24 plugs must be inserted in the 12-way distributor of the converter



- Assembly**
1. Connect the LED converter to the mains.
 2. Connect the Dynamic-Controller to the distributor of the converter.

Study Button



Point 3 - 6 are only necessary to adjust further Dynamic-Controller to the same remote control:

3. Push the „Study Button“ in the receiver with a sharpen object, such as screwdriver or refill for a ballpoint pen. The indicator lamp turns on blue.
4. Press the on/off button of the radio telecontrol for approx. 1 second. The indicator lamp flashes and turns off.
5. After finish above steps, the indicator lamp is still on. It means learning is failed. Please repeat the process again.
6. The Dynamic LED luminaires can now be controlled with the remote control.



Attention: After 1 Minute the board is locked. To unlock, press one of the 3 buttons. A permanent flashing of the Indicator lamp has no influence on the normal operation.

Reproduction of this document in whole or part is forbidden.

Assembly and operating Instructions

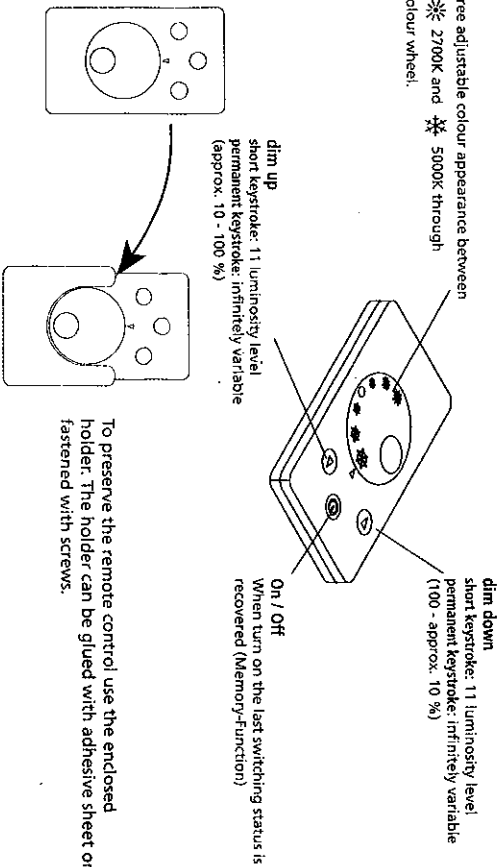


Intended use
Dynamic-Controller to connect to electronic safety isolating converter LED 24/...W with remote control; this product is for indoor use only.

Remote Control

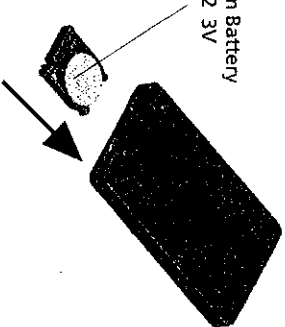
The remote control has a remote distance of max. 15m. The Dynamic-Controller has a memory function of the performance before a disconnection from the mains. After reestablish the mains connection the Dynamic LED luminaires operate in the performance before the power failure.

Free adjustable colour appearance between
* 2700K and * 5000K through
colour wheel.



Installation of the Battery

Lithium Battery
CR2032 3V



Reproduction of this document in whole or part is forbidden.